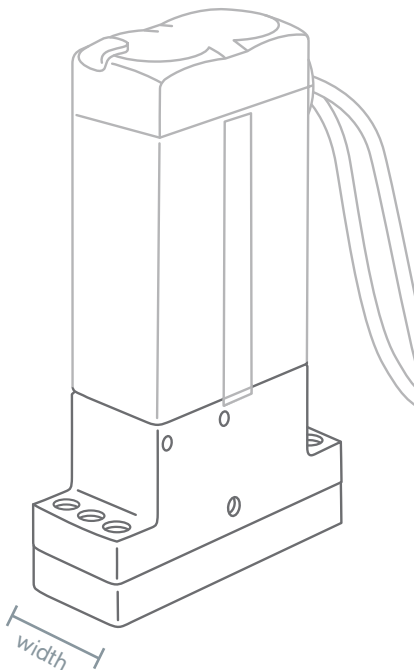


Valve Width



MicroFluidics SELECTION DISC

This MicroFluidics selection disc was designed to make your life easier by helping you select the right valves and materials for your particular needs. Just play around and find out which valve fits your application best.

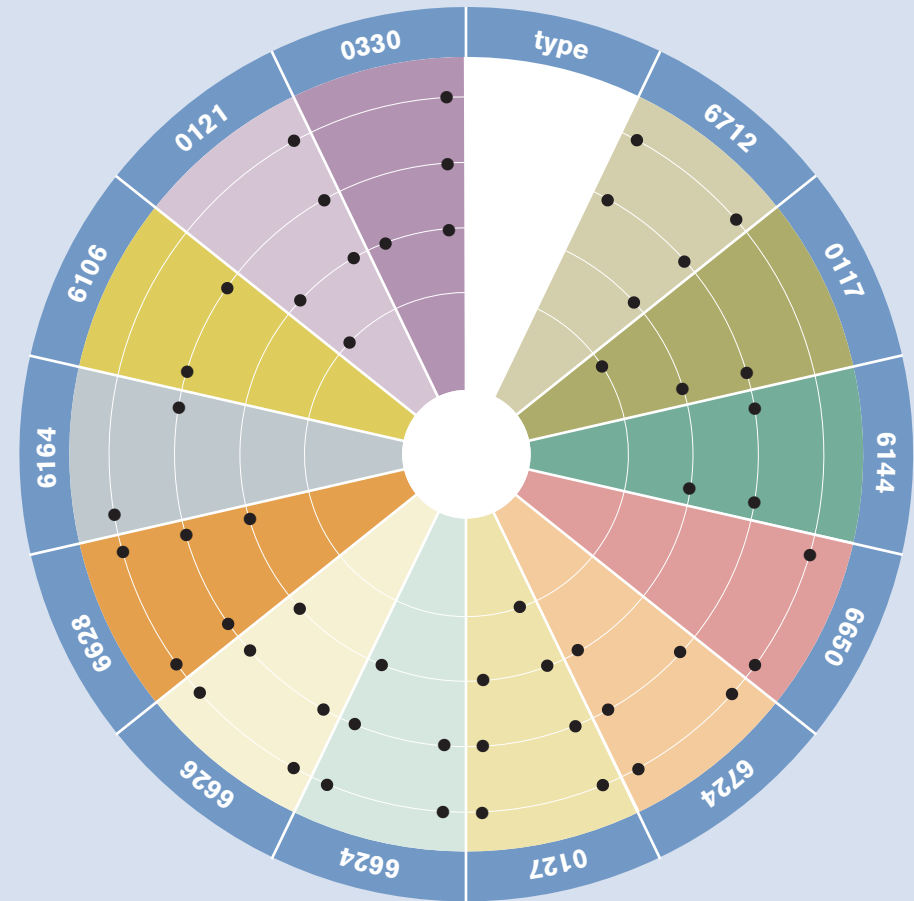
Please do not hesitate to contact your local sales representative for any questions you might have.

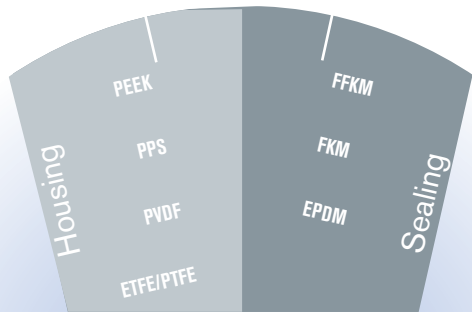
Higher pressure ranges

width	orifice	max. pressure in bar						
		6	7	8	9	10	11	12
4.5 mm	0.4 mm	6650						
10 mm	0.6 mm	6144						
11 mm	0.5 mm	6164						
	0.8 mm	6164						
16 mm	0.8 mm	0127*						
	0.9 mm	6106						
	1.2 mm	6106						
32 mm	2.0 mm	0330						
		0121						
	3.0 mm	0330						

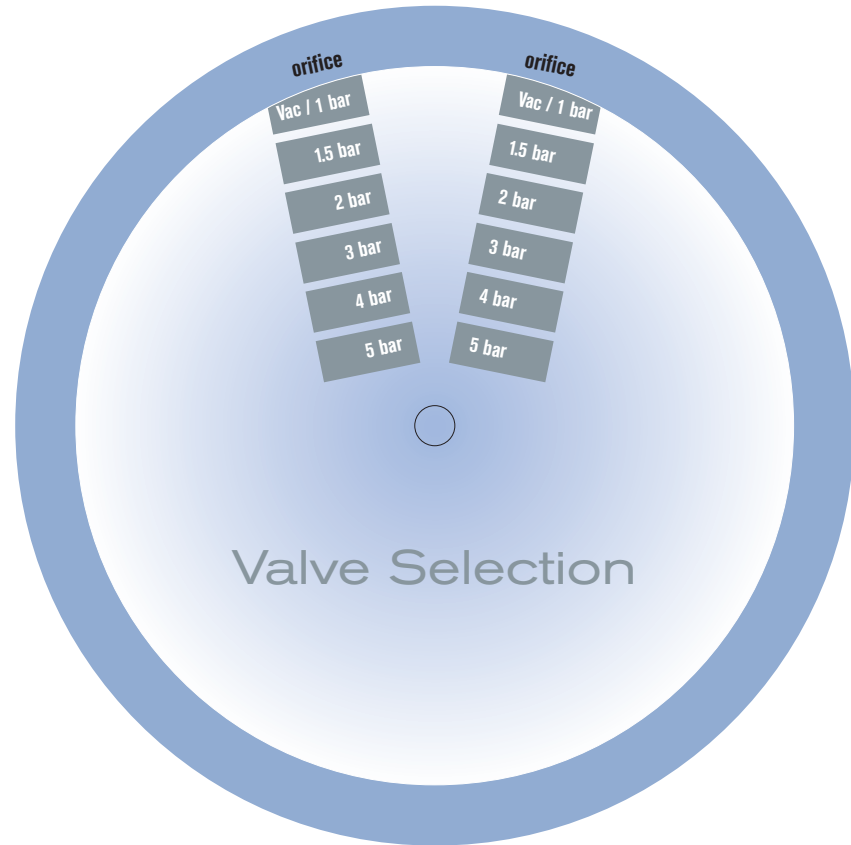
* Maximum total pressure difference 2bar.

Pressure ranges depend on circuit function, power supply and material.
Not all materials are available for all circuits functions and orifices.





Material Selection



Valve Selection