

## 2/2-way Diaphragm Valve with stainless steel design, weld end or clamp connection, DN 4-50



- Hermetical separation of fluids from the operating mechanism by diaphragm
- Zero dead volume
- Various surface finishes
- Certified according to **FDA**
- Clean design for optimal use in hygienic environment

Type 2103 cast On/Off can be combined with...



**Type 8690**

Pneum. control unit with feedback



**Type 8691**

Control head



**Type 8695**

Control Head



**Type 8645**

Automation system FreeLINE



**Type 8110**

Level sensor

The externally piloted diaphragm valve Type 2103 consists of a pneumatically operated piston actuator, a diaphragm and a 2-way valve housing made of cast stainless steel. The high-quality actuator with a stainless steel cover is designed for usage in hygienic or aggressive environments.

The flow optimised and zero dead volume valve body makes high flow rates possible and a variety of applications to be realised.

The design enables the easy integration of automation modules whether they are electrical/optical position feedback, pneumatic control units, an integrated fieldbus interface or even an explosion proof feedback.

The fully integrated system has a compact and smooth design, integrated pneumatic lines, IP65/67/NEMA4X protection class and superior chemical resistance.

<sup>1)</sup> advanced PTFE/EPDM is recommended for sterilization cycle

Technical data	
<b>Orifice</b>	DN 4 to 50
<b>Body material</b>	Cast stainless steel 316L/1.4435
<b>Actuator material</b>	PPS
Actuator	Stainless steel 1.4561 (316Ti)
Cover	
<b>Diaphragm materials</b>	EPDM, PTFE/EPDM (advanced PTFE/EPDM, FKM on request)
<b>Medium</b>	Neutral gases and liquids, high purity, sterile, aggressive or abrasive fluids
<b>Viscosity</b>	up to viscous
<b>Surface finishes</b>	(average surface finish)
internal mechanical polished (external cast surface)	≤ 0.8 µm
internal electro polished (external cast surface electro polished)	Ra ≤ 0.6 µm (on request)
internal mechanical polished	Ra ≤ 1.6 µm (on request)
<b>Medium temperatures</b>	
EPDM, PTFE/EPDM, advanced PTFE/EPDM (on request) <sup>1)</sup>	-10 to +130 °C (briefly up to +150°C for steam sterilisation)
FKM on request	-10 to +130°C
<b>Ambient temperature</b>	+5 to +60 °C
<b>Control medium</b>	Neutral gases, air
<b>Max. pilot pressure</b>	max. 10 bar
<b>Port connections</b>	
Welded acc.	EN ISO 1127/ISO 4200, DIN 11850 and SMS 3008 (on request)
Clamp acc.	DIN 32676, BS 4825, ISO 2852/SMS 3017 (on request)
Sterile threaded ports	on request
<b>Pilot air ports</b>	Push-in connector for external ø 6 mm or 1/4" tube, thread G1/8 (on request)
<b>Installation</b>	as required, preferably with actuator in upright position

### Content

Valve specifications	System spec. On/Off ELEMENT	Request for quotation
 <b>Type 2103 cast On/Off</b>	 <b>Type 8801-DF</b>	<b>Type 8801-DF</b>
Technical data & ordering info. p. 1-7	Ordering info. & technical data p. 8-12	p. 13

## Technical data, continued

## Kv-value

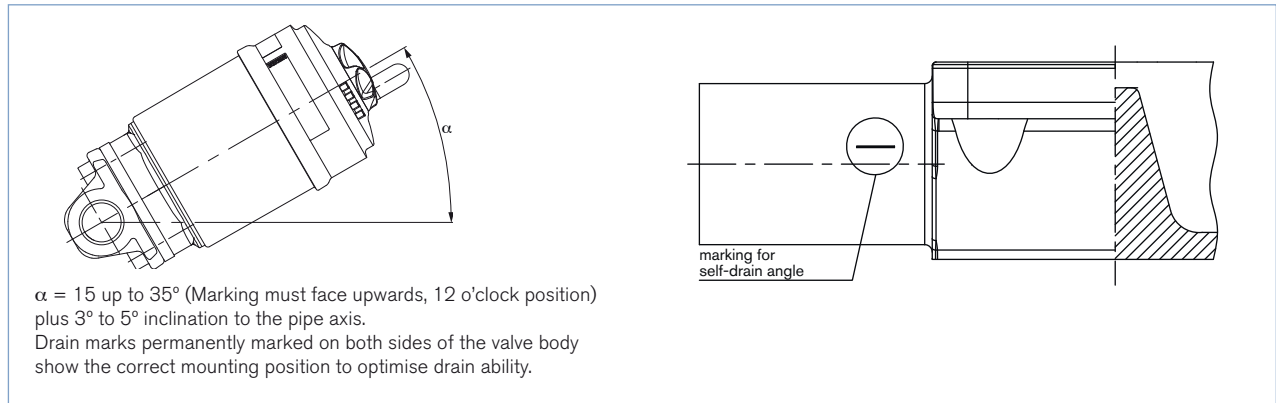
Orifice		Kv value water (m <sup>3</sup> /h)	Actuator size Ø [mm]	Permitted pilot pressure [bar]		Max. operating pressure [bar] for seal material	
[mm]	[inch]			min.	max.	EPDM, FKM [bar]	PTFE/EPDM, advanced PTFE/ EPDM [bar]
4	–	0.8	50	5	10	10	10
6	–	0.8	50	5	10	10	10
8	1/4"	1.0	50	5	10	10	10
10	3/8"	1.0	50	5	10	10	10
15	1/2"	5.5	70	5	10	10	10
20	3/4"	10.0	70	5	10	10	10
25	1"	14.0	70	5	10	6.5	6
			90	5.5	10	10	8
40	1 1/2"	30.0	130	5	7	10	10
50	2"	51.5	130	5	7	8	7

**Flow rate: Kv value water (m<sup>3</sup>/h)**

Measured at +20 °C, 1 bar pressure at valve inlet and free outlet.

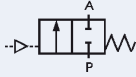
**Pressure values (bar)**

Measured as overpressure to the atmospheric pressure.

**Installation for self-draining operation**

## Ordering chart Type 2103 cast diaphragm valve

Welded connection, surface finish mechanical polished  $Ra \leq 0.8 \mu\text{m}$ , further versions on request

Control function	Orifice		External- $\Phi$ [mm]	Kv value water (m <sup>3</sup> /h)	Actuator size $\Phi$ [mm]	Pilot pressure [bar]	Max. operat- ing pressure [bar]	Item no. mechanical polished, $Ra \leq$ 0.8 $\mu\text{m}$
	[mm]	[inch]						
<b>A</b> 2/2-way valve, normally closed (NC) 	<b>Acc. to EN ISO 1127/ISO 4200</b>							
	<b>Diaphragm material EPDM</b>							
	8	1/4"	13.5	1.0	50	5-10	10	187 239
	15	1/2"	21.3	5.5	70	5-10	10	175 128
	20	3/4"	26.9	10.0	70	5-10	10	175 129
	25	1"	33.7	14.0	70	5-10	6.5	175 131
					90	5.5-10	10	180 345
	40	1 1/2"	48.3	30.0	130	5-7	10	188 360
	50	2"	60.3	51.5	130	5-7	8	188 367
	<b>Diaphragm material PTFE/EPDM</b>							
	8	1/4"	13.5	1.0	50	5-10	10	187 240
	15	1/2"	21.3	5.5	70	5-10	10	175 132
	20	3/4"	26.9	10.0	70	5-10	10	175 133
	25	1"	33.7	14.0	70	5-10	6	175 134
					90	5.5-10	8	180 346
	40	1 1/2"	48.3	30.0	130	5-7	10	219 312
	50	2"	60.3	51.5	130	5-7	7	219 313
	<b>Acc. to DIN 11850 Serie 2</b>							
	<b>Diaphragm material EPDM</b>							
	10	3/8"	13	1.0	50	5-10	10	187 243
	15	1/2"	19	5.5	70	5-10	10	176 556
	20	3/4"	23	10.0	70	5-10	10	176 557
	25	1"	29	14.0	70	5-10	6.5	176 558
					90	5.5-10	10	180 349
	40	1 1/2"	41.0	30.0	130	5-7	10	188 372
	50	2"	53.0	51.5	130	5-7	8	188 373
	<b>Diaphragm material PTFE/EPDM</b>							
	10	3/8"	13	1.0	50	5-10	10	187 244
	15	1/2"	19	5.5	70	5-10	10	176 559
	20	3/4"	23	10.0	70	5-10	10	176 560
	25	1"	29	14.0	70	5-10	6	176 561
					90	5.5-10	8	180 350
40	1 1/2"	41.0	30.0	130	5-7	10	188 374	
50	2"	53.0	51.5	130	5-7	7	188 375	
<b>Acc. to DIN 11850 Serie 0</b>								
<b>Diaphragm material EPDM</b>								
4	-	6	0.8	50	5-10	10	187 255	
6	-	8	0.8	50	5-10	10	187 256	
<b>Diaphragm material PTFE/EPDM</b>								
4	-	6	0.8	50	5-10	10	187 257	
6	-	8	0.8	50	5-10	10	187 258	

**i** Further versions on request
**Material**

Sealing: advanced PTFE/EPDM, FKM

**Port connection**

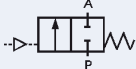
Welded acc. to SMS 3008

**Additional**Surface finish  $Ra \leq 0.6 \mu\text{m}$  and further**Control function**

B (normally open) and I (double-acting)

## Ordering chart Type 2103 cast diaphragm valve, continued

Clamp connection, surface finish mechanical polished  $Ra \leq 0.8 \mu\text{m}$ , further versions on request

Control function	Orifice		External- $\varnothing$ [mm]	Kv value water ( $\text{m}^3/\text{h}$ )	Actuator size $\varnothing$ [mm]	Pilot pressure [bar]	Max. operating pressure [bar]	Item no. mechanical polished, $Ra \leq 0.8 \mu\text{m}$
	[mm]	[inch]						
<b>A</b> 2/2-way valve, normally closed (NC) 	<b>Acc. to DIN 32676</b>							
	<b>Diaphragm material EPDM</b>							
	15	1/2"	34.0	5.5	70	5-10	10	188 479
	20	3/4"	34.0	10.0	70	5-10	10	188 480
	25	1"	50.5	14.0	70	5-10	6.5	188 481
					90	5.5-10	10	188 482
	40	1 1/2"	50.5	30.0	130	5-7	10	188 483
	50	2"	64.0	51.5	130	5-7	8	188 484
	<b>Diaphragm material PTFE/EPDM</b>							
	15	1/2"	34.0	5.5	70	5-10	10	188 485
	20	3/4"	34.0	10.0	70	5-10	10	188 486
	25	1"	50.5	14.0	70	5-10	6	188 487
					90	5.5-10	8	188 488
	40	1 1/2"	50.5	30.0	130	5-7	10	188 489
	50	2"	64.0	51.5	130	5-7	7	188 490
	<b>Acc. to BS 4825</b>							
	<b>Diaphragm material EPDM</b>							
	8	1/4"	25.0	1.0	50	5-10	10	187 279
	10	3/8"	25.0	1.0	50	5-10	10	187 280
	15	1/2"	25.0	5.5	70	5-10	10	188 527
	25	1"	50.5	14.0	70	5-10	6.5	188 528
					90	5.5-10	10	188 529
	40	1 1/2"	50.5	30.0	130	5-7	10	188 530
	50	2"	64.0	51.5	130	5-7	8	188 531
	<b>Diaphragm material PTFE/EPDM</b>							
	8	1/4"	25.0	1.0	50	5-10	10	187 281
	10	3/8"	25.0	1.0	50	5-10	10	187 282
	15	1/2"	25.0	5.5	70	5-10	10	188 532
25	1"	50.5	14.0	70	5-10	6	188 533	
				90	5.5-10	8	188 534	
40	1 1/2"	50.5	30.0	130	5-7	10	188 535	
50	2"	64.0	51.5	130	5-7	7	188 536	

 **Further versions on request**
**Material**

Sealing: advanced PTFE/EPDM, FKM

**Port connection**

Clamp acc. ISO 2852-SMS 3017

**Additional**Surface finish  $Ra \leq 0.6 \mu\text{m}$  and further**Control function**

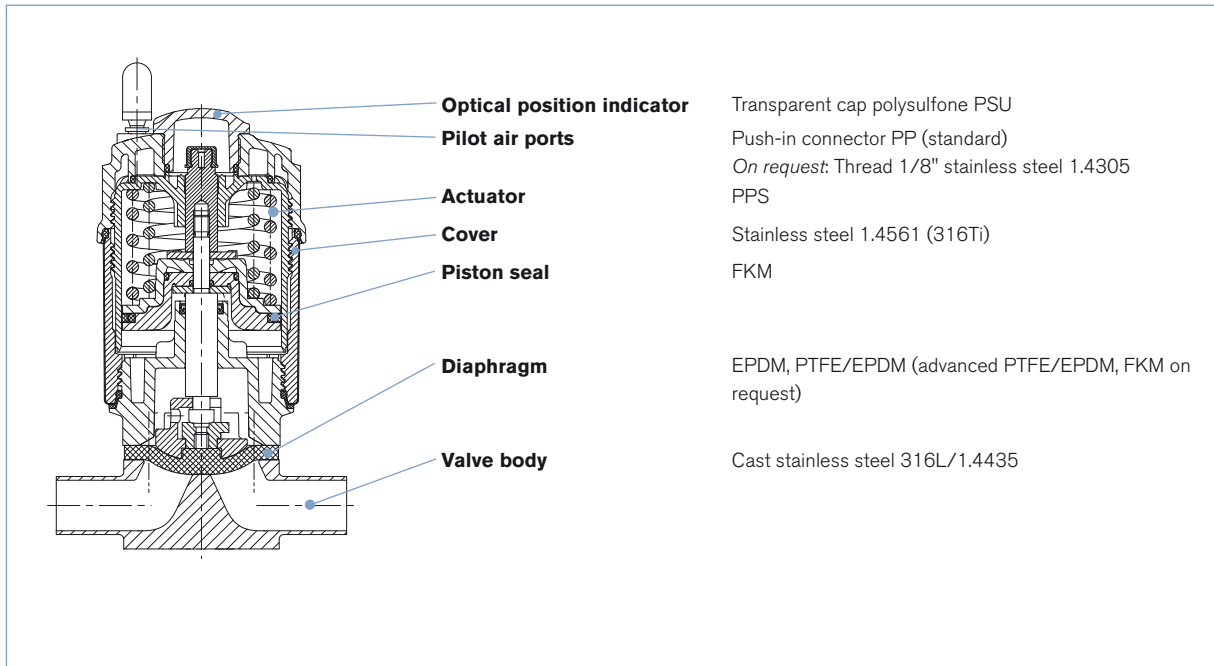
B (normally open) and I (double-acting)

## Approvals

### Suitability for foodstuffs / sterile applications

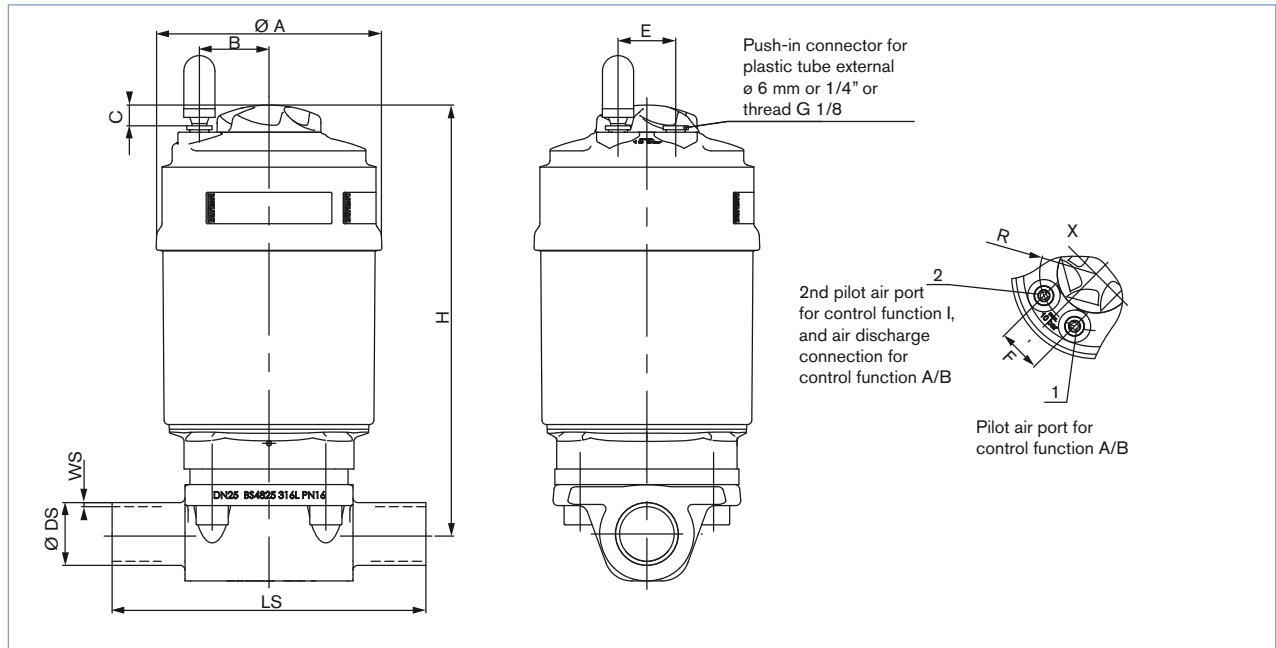
- FDA** • The composition of the EPDM, PTFE/EPDM and advanced PTFE/EPDM diaphragms corresponds to the *Code of Federal Regulations*, published by the *FDA* (Food and Drug Administration, USA).
- The EPDM diaphragms correspond to the KTW Recommendation (Plastics in the Drinking Water Sector).
- A Manufacturer's Declaration will be supplied on request.

### Materials Type 2103 cast diaphragm valve



Dimensions Type 2103 cast diaphragm valve [mm]

Welded connection



EN ISO 1127/ISO 4200, DIN 11850 S2

Orifice		Actuator size Ø [mm]									EN ISO 1127/ISO 4200		DIN 11850 Series 2	
[mm]	[inch]		Ø A	B	F	C	R	E	H	LS	Ø DS	WS	Ø DS	WS
8	1/4"	50	64.5	17.15	19.8	6.1	17.15	19.8	129	90	13.5	1.6	-	-
10	3/8"	50	64.5	17.15	19.8	6.1	17.15	19.8	129	90	17.2	1.6	13	1.5
15	1/2"	70	91	30.5	23.3	8.5	30.5	23.3	161	110	21.3	1.6	19	1.5
20	3/4"	70	91	30.5	23.3	8.5	30.5	23.3	171	119	26.9	1.6	23	1.5
		90	120	30.5	23.3	8.5	30.5	23.3	207	129	33.7	2.0	29	1.5
40	1 1/2"	130	159	30.5	23.3	8.5	30.5	23.5	288	161	48.3	2.0	41	1.5
50	2"	130	159	30.5	23.3	8.5	30.5	23.5	311	192	60.3	2.0	53	1.5

DIN 11850 S0

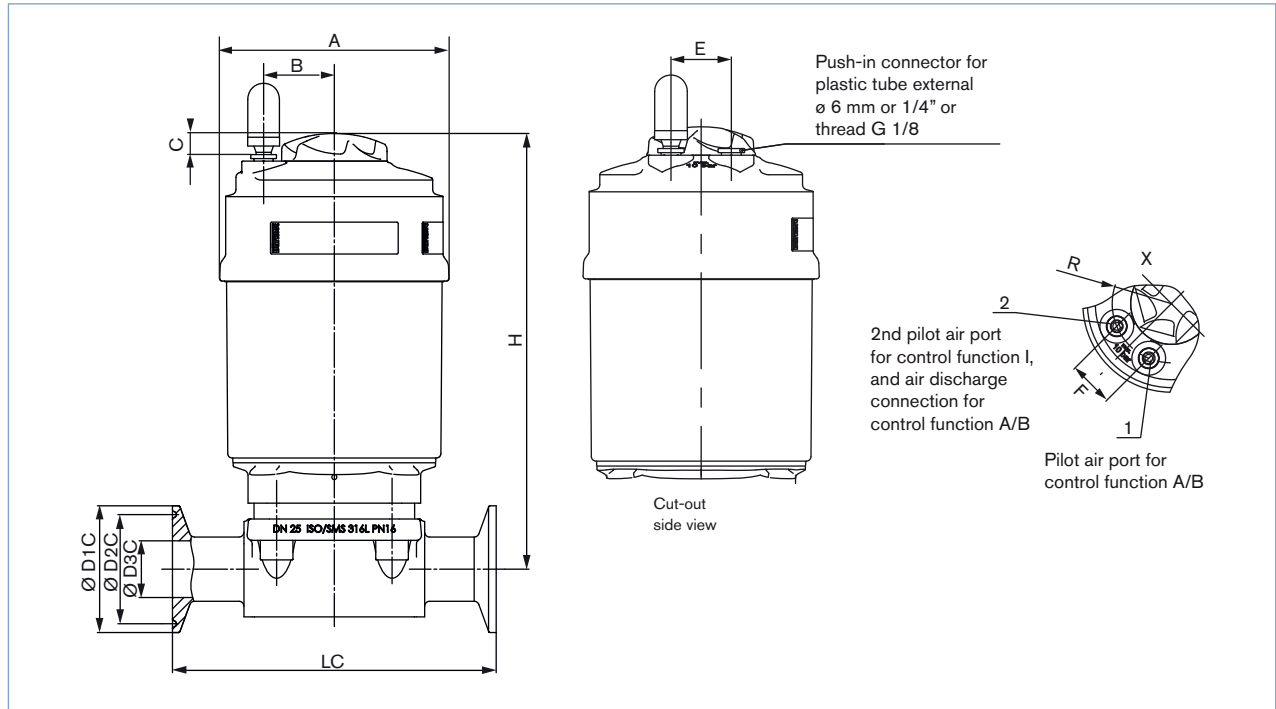
Orifice [mm]	Actuator size Ø [mm]	Ø A	B	F	C	R	E	H	LS	Ø DS	WS
4	50	64.5	17.15	19.8	6.1	17.15	19.8	129	90	6	1.0
6	50	64.5	17.15	19.8	6.1	17.15	19.8	129	90	8	1.0

On request: SMS 3008

Orifice		Actuator size Ø [mm]											
[mm]	[inch]		Ø A	B	F	C	R	E	H	LS	Ø DS	WS	
25	1"	70	91	30.5	23.3	8.5	30.5	23.3	174	127	25	1.2	
		90	120	30.5	23.3	8.5	30.5	23.3	207	127	25	1.2	

Dimensions Type 2103 cast diaphragm valve [mm], continued

Clamp connection



DIN 32676 and BS 4825

All bodies			DIN 32676							BS 4825							
Orifice		Actuator size Ø	Ø A	B	F	C	R	E	H	LC	ØD1C	ØD2C	ØD3C	LC	ØD1C	ØD2C	ØD3C
[mm]	[inch]																
8	1/4"	50	64.5	17.15	19.8	6.1	17.15	19.8	129	-	-	-	-	89	25	20.22	7.1
10	3/8"	50	64.5	17.15	19.8	6.1	17.15	19.8	144	-	-	-	-	89	25	20.22	10.3
15	1/2"	70	91	30.5	23.3	8.5	30.5	23.3	161	110	34	27.5	16	102	25	20.22	16.7
20	3/4"	70	91	30.5	23.3	8.5	30.5	23.3	171	119	34	27.5	20	-	-	-	-
25	1"	70	91	30.5	23.3	8.5	30.5	23.3	174	129	50.5	43.5	26	114	50.5	43.5	22.2
		90	120	30.5	23.3	8.5	30.5	23.3	207	129	50.5	43.5	26	114	50.5	43.5	22.2
40	1 1/2"	130	159	30.5	23.3	8.5	30.5	23.5	288	161	50.5	43.5	38	140	50.5	43.5	34.9
50	2"	130	159	30.5	23.3	8.5	30.5	23.5	311	192	64	56.5	50	159	64	56.5	47.6

On request: ISO 2852-SMS 3017

Orifice		Actuator size Ø	Ø A	B	F	C	R	E	H	LC	Ø D1C	Ø D2C	Ø D3C
[mm]	[inch]												
25	1"	70	91	30.5	23.3	8.5	30.5	23.3	174	129	50.5	43.5	22.6
		90	120	30.5	23.3	8.5	30.5	23.3	207	129	50.5	43.5	22.6

**Ordering information for valve system On/Off ELEMENT Type 8801-DF**

A valve system On/Off ELEMENT Type 8801-DF consists of a diaphragm valve Type 2103 and a pneumatic control unit Type 8690 or control head Type 8691 (for valve actuator sizes  $\varnothing$  70/90/130 mm, below) or control head Type 8695 (for valve actuator size  $\varnothing$  50 mm, next page) (see separate datasheets). For the configuration of further valve systems please use the "Request for quotation" on p. 13 [go to page](#)  
 You order two components and receive a complete assembled and certified valve.

**Ordering the valve system On/Off ELEMENT Type 8801-DF with valve actuator sizes  $\varnothing$  70/90/130 mm**

**Diaphragm valve Type 2103 with actuator sizes  $\varnothing$  70/90/130 mm**

**Control units**



Pneum. control unit  
Type 8690



Control head  
Type 8691

**Diaphragm valve with desired control unit**



**Valve system  
On/Off ELEMENT  
Type 8801-DF-K  
2103 + 8690**



**Valve system  
On/Off ELEMENT  
Type 8801-DF-H  
2103 + 8691**

Click on the orange box "More info." below... you will come to our website for the resp. product where you can download the datasheet.

**Pneumatic control unit Type 8690**



**More info.**

The new generation of integrated controllers for combination with actuators from the process valve series Type 21xx is specially designed for the requirements of hygienic process environments. The pneumatic control unit Type 8690 combines electrical position feedback and pneumatic control for single or double-acting actuators, and is also optionally available as an intrinsically safe model to ATEX.

Main customer benefits:

- Compact design of the valve system with integrated controller meets the demands for plant washdown environments through the selection of materials, external seals and integrated control air supply to the actuator.
- Integrated pilot valve with manual actuation
- Air intake filter enhances the process valve system availability
- Simple and reliable actuator adaptations allowing additional actuators of the process valve series, Type 20xx or actuators from other manufacturers to be used

**Control head Type 8691**



DeviceNet™

**More info.**

The new generation of integrated control heads for combination with actuators from the process valve series Type 21xx is specially designed for the requirements of hygienic process environments. The intelligent control head, Type 8691, detects the valve position by means of a contact-free analog position sensor circumventing excessive wear of mechanical parts. Single or double-acting actuators are controlled via the integral pilot valve. Communication interfaces AS-Interface and DeviceNet are available as options.

Main customer benefits:

- Compact, hygienic design of the valve system with integrated controller meets the demands of plant washdown environments through the selection of materials, external seals and integrated control air supply to the actuator.
- Automatic setting of the control head at the push of a button
- Even under dirty or dark environments, a clearly visible status display due to powerful LEDs
- Monitoring and diagnosis: Process valve systems with field bus interface used in modern plant processes
- Integrated pilot valve with manual actuation
- Air intake filter enhances the process valve system availability
- Simple and reliable actuator adaptations allowing additional actuators of the process valve series, Type 20xx or actuators from other manufacturers to be used

**Ordering information for valve system On/Off ELEMENT Type 8801-DF, continued**

A valve system On/Off ELEMENT Type 8801-DF consists of a diaphragm valve Type 2103 and a pneumatic control unit Type 8690 or control head Type 8691 (for valve actuator sizes  $\varnothing$  70/90/130 mm, previous page) or control head Type 8695 (for valve actuator size  $\varnothing$  50 mm, below ) (see separate datasheets). For the configuration of further valve systems please use the "Request for quotation" on p. 13 [go to page](#)  
You order two components and receive a complete assembled and certified valve.

**Ordering the valve system On/Off ELEMENT Type 8801-DF with valve actuator size  $\varnothing$  50 mm**

**Diaphragm valve Type 2103  
with actuator size  $\varnothing$  50 mm**



**Control unit**



Type 8695

**Diaphragm valve with  
desired control unit**



**Valve system  
On/Off ELEMENT  
Type 8801-DF-M  
2103 + 8695**

Click on the orange box "More info." below... you will come to our website for the resp. product where you can download the datasheet.

**Control head Type 8695**



**More  
info.**

The new generation of integrated control heads for combination with small actuators from the process valve series Type 21xx is specially designed for the requirements of hygienic process environments. The intelligent control head, Type 8695, detects the valve position by means of a contact-free analog position sensor circumventing excessive wear of mechanical parts. Single and double-acting actuators are controlled via the integral pilot valve. An AS-Interface communication interface is available as an option.

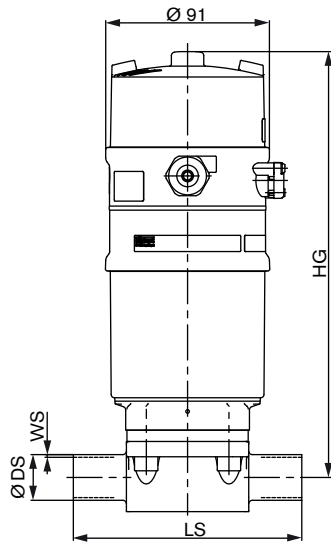
Main customer benefits:

- Compact, hygienic design of the valve system with integrated controller meets the demands of plant washdown environments through the selection of materials, external seals and integrated control air supply to the actuator
- Automatic setting of the control head at the push of a button
- Visual status display on the control head
- Monitoring and diagnosis: Process valve systems with fieldbus interface used in modern plant processes
- Integrated pilot valve
- Simple and reliable actuator adaption

Dimensions for valve system On/Off ELEMENT Type 8801-DF [mm]

Dimensions valve system On/Off ELEMENT Type 8801-DF-K with pneumatic control unit Type 8690 [mm]

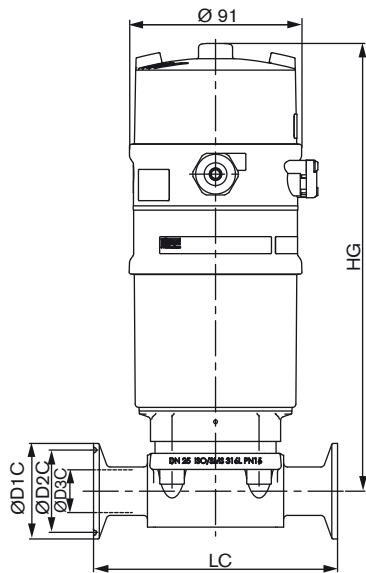
Welded connection



EN ISO 1127/ISO 4200, DIN 11850 S2 (on request SMS3008)

Orifice		Actuator size Ø [mm]	HG	LS	EN ISO 1127/ISO 4200		DIN 11850 Serie 2		SMS 3008 (on request)	
[mm]	[inch]				Ø DS	WS	Ø DS	WS	Ø DS	WS
15	1/2"	70	224	110	21.3	1.6	19	1.5	-	-
20	3/4"	70	234	119	26.9	1.6	23	1.5	-	-
25	1"	70	237	129	33.7	2.0	29	1.5	25	1.2
		90	270	129	33.7	2.0	29	1.5	25	1.2
40	1 1/2"	130	351	161	48.3	2.0	41	1.5	38	1.2
50	2"	130	374	192	60.3	2.0	53	1.5	51	1.2

Clamp connection



DIN 32676, BS 4825

All bodies				DIN 32676			BS 4825				
Orifice		Actuator size Ø [mm]	HG	LC	Ø D1C	Ø D2C	Ø D3C	LC	Ø D1C	Ø D2C	Ø D3C
[mm]	[inch]										
15	1/2"	70	224	110	34	27.5	16	102	25	20.22	16.7
20	3/4"	70	234	119	34	27.5	20	-	-	-	-
25	1"	70	237	129	50.5	43.5	26	114	50.5	43.5	22.2
		90	270	129	50.5	43.5	26	114	50.5	43.5	22.2
40	1 1/2"	130	351	161	50.5	43.5	38	140	50.5	43.5	34.9
50	2"	130	374	192	64.0	56.5	50	159	64	56.5	47.6

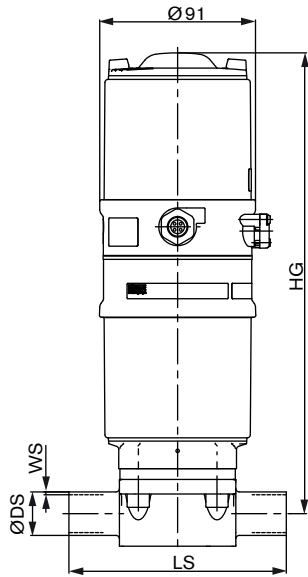
On request: ISO 2852-SMS 3017

Orifice		Actuator size Ø [mm]	HG	LC	Ø D1C	Ø D2C	Ø D3C
[mm]	[inch]						
25	1"	70	237	129	50.5	43.5	22.6
		90	270	129	50.5	43.5	22.6

Dimensions for valve system On/Off ELEMENT Type 8801-DF [mm], continued

Dimensions valve system On/Off ELEMENT Type 8801-DF-H with control head Type 8691 [mm]

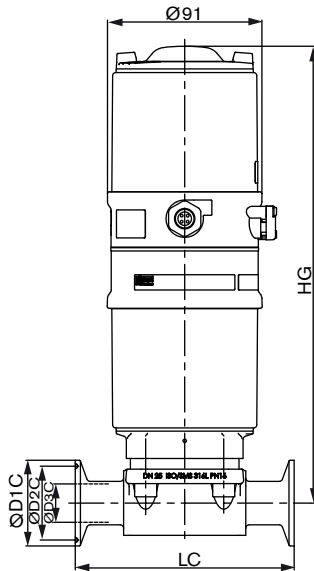
Welded connection



EN ISO 1127/ISO 4200, DIN 11850 S2 (on request SMS3008)

Orifice		Actuator size Ø [mm]	HG	LS	EN ISO 1127/ISO 4200		DIN 11850 Serie 2		SMS 3008 (on request)	
[mm]	[inch]				Ø DS	WS	Ø DS	WS	Ø DS	WS
15	1/2"	70	257	110	21.3	1.6	19	1.5	-	-
20	3/4"	70	267	119	26.9	1.6	23	1.5	-	-
25	1"	70	270	129	33.7	2.0	29	1.5	25	1.2
		90	303	129	33.7	2.0	29	1.5	25	1.2
40	1 1/2"	130	384	161	48.3	2.0	41	1.5	38	1.2
50	2"	130	407	192	60.3	2.0	53	1.5	51	1.2

Clamp connection



DIN 32676, BS 4825

All bodies				DIN 32676				BS 4825			
Orifice		Actuator size Ø [mm]	HG	LC	Ø D1C	Ø D2C	Ø D3C	LC	Ø D1C	Ø D2C	Ø D3C
[mm]	[inch]										
15	1/2"	70	257	110	34	27.5	16	102	25	20.22	16.7
20	3/4"	70	267	119	34	27.5	20	-	-	-	-
25	1"	70	270	129	50.5	43.5	26	114	50.5	43.5	22.2
		90	303	129	50.5	43.5	26	114	50.5	43.5	22.2
40	1 1/2"	130	384	161	50.5	43.5	38	140	50.5	43.5	34.9
50	2"	130	407	192	64.0	56.5	50	150	64	56.5	47.6

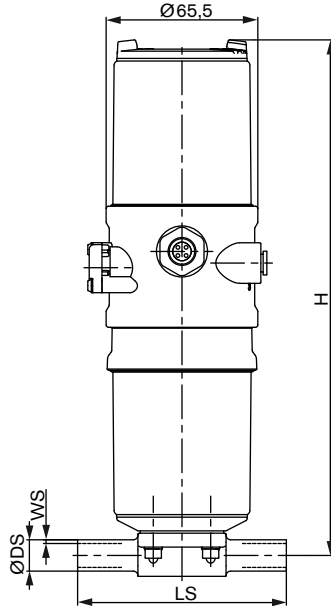
On request: ISO 2852-SMS 3017

Orifice		Actuator size Ø [mm]	HG	LC	Ø D1C	Ø D2C	Ø D3C
[mm]	[inch]						
25	1"	70	270	129	50.5	43.5	22.6
		90	303	129	50.5	43.5	22.6

Dimensions for valve system On/Off ELEMENT Type 8801-DF [mm], continued

Dimensions valve system On/Off ELEMENT Type 8801-DF-M with control head Type 8695 [mm]

Welded connection



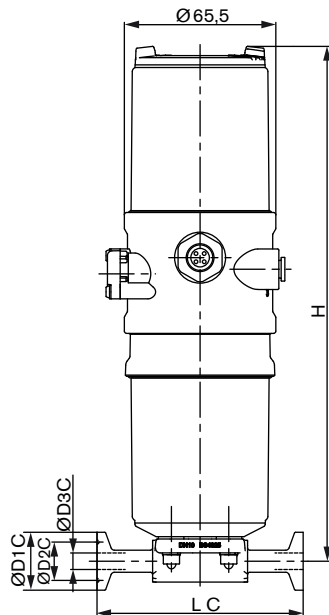
EN ISO 1127/ISO 4200, DIN 11850 S2

Orifice		Actuator size Ø [mm]	H	LS	EN ISO 1127/ISO 4200		DIN 11850 Serie 2	
[mm]	[inch]				Ø DS	WS	Ø DS	WS
8	1/4"	50	223	90	13.5	1.6	-	-
10	3/8"	50	223	90	17.2	1.6	13	1.5

DIN 11850 S0

Orifice		Actuator size Ø [mm]	H	LS	Ø DS	WS
[mm]	[inch]					
4	-	50	223	90	6	1.0
6	-	50	223	90	8	1.0

Clamp connection



BS 4825

Orifice		Actuator size Ø	H	LC	Ø D1 C	Ø D2 C	Ø D3 C
[mm]	[inch]						
8	1/4"	50	223	89	25	20.22	7.1
10	3/8"	50	223	89	25	20.22	10.3

Valve system On/Off ELEMENT Type 8801-DF - Request for quotation

Note

You can fill out the fields directly in the PDF file before printing out the form.

Please fill out and send to your nearest Bürkert facility\* with your inquiry or order

Company	Contact person
Customer no.	Department
Address	Tel./Fax
Postcode/town	E-mail

= mandatory fields to fill out       Quantity       Required delivery date

Operating data

Pipe line	DN <input type="text"/>	PN <input type="text"/>
Pipe material	<input type="text"/>	
Process medium	<input type="text"/>	
Type of media	<input type="checkbox"/> Liquid	<input type="checkbox"/> Steam <input type="checkbox"/> Gas

Valve features

Specification key

automatically transferred from last page

go to page

<input type="checkbox"/>	<input type="checkbox"/>	<input type="checkbox"/>	<input type="checkbox"/>	<input type="text"/>	<input type="checkbox"/>
--------------------------	--------------------------	--------------------------	--------------------------	----------------------	--------------------------

Surface finish (if not standard)      internal  µm      external  µm  
Pilot pressure       min.       max.

Control unit features

For actuator sizes ø70/ø90/ø130 mm		For actuator size ø50 mm
<input type="checkbox"/> <b>Pneumatic Control Unit Type 8690</b> <span style="background-color: orange; color: white; padding: 2px;">More info.</span>	<input type="checkbox"/> <b>Control Head Type 8691</b> <span style="background-color: orange; color: white; padding: 2px;">More info.</span>	<input type="checkbox"/> <b>Control Head Type 8695</b> <span style="background-color: orange; color: white; padding: 2px;">More info.</span>
<b>Pneumatic function</b> <input type="checkbox"/> Single-acting <input type="checkbox"/> Double-acting <input type="checkbox"/> Without pilot valve <b>Position feedback</b> <input type="checkbox"/> 1x inductive <input type="checkbox"/> 2x inductive <input type="checkbox"/> 1x inductive (NAMUR) <input type="checkbox"/> 2x inductive (NAMUR) <input type="checkbox"/> 1x mechanical <input type="checkbox"/> 2x mechanical <b>Supply voltage</b> <input type="checkbox"/> 24 V / DC (ATEX Zone 2/22) <input type="checkbox"/> Ex ia IIC T6 (ATEX Zone 1) <b>Pilot air ports</b> <input type="checkbox"/> Push-in connector <input type="checkbox"/> Thread G 1/8" <small>external ø 6mm or 1/4"</small> <b>Please specify item no. if known:</b> <input type="text"/>	<b>Pneumatic function</b> <input type="checkbox"/> Single-acting <input type="checkbox"/> Double-acting <b>Pilot air ports</b> <input type="checkbox"/> Push-in connector external ø 6mm or 1/4" <input type="checkbox"/> Thread G 1/8" <b>Communication</b> <input type="checkbox"/> ASI <input type="checkbox"/> Multipol M12 <input type="checkbox"/> Flat cable clip, 1 m cable <input type="checkbox"/> DeviceNet <b>Please specify item no. if known:</b> <input type="text"/>	<b>Pneumatic function</b> <input type="checkbox"/> Single-acting <input type="checkbox"/> Double-acting <input type="checkbox"/> Push-in connector external ø 6mm or 1/4" <input type="checkbox"/> Thread G 1/8" <b>Communication</b> <input type="checkbox"/> ASI <b>Please specify item no. if known:</b> <input type="text"/>

Comments

----------

\* To find your nearest Bürkert facility, click on the orange box → [www.burkert.com](http://www.burkert.com)

Valve system On/Off Classic Type 8801-DF – request for quotation, *cont.*

Control unit features	
<b>Pilot valve</b>	<b>Stroke limitation</b>
<input type="checkbox"/> Pilot valve	<input type="checkbox"/> Stroke limitation
Power supply <input type="text"/>	<input type="checkbox"/> <b>Min./max. stroke limitation</b> , with visual position indicator
	<input type="checkbox"/> <b>Max. stroke limitation</b> , without visual position indicator
Please specify item no. if known: <input type="text"/>	Please specify item no. if known: <input type="text"/>

Certifications
<input type="checkbox"/> Attestation of compliance with the order EN-ISO 10204 2.1 (Item-No. 440 788)
<input type="checkbox"/> Test report EN-ISO 10204 2.2 (Item-No. 803 722)
<input type="checkbox"/> Certification of Conformity for Raw Material EN-ISO 10204 3.1 (Item-No. 803 723)
<input type="checkbox"/> EN161 (European Gas Device guideline)
<input type="checkbox"/> FDA - USP certificate

Comment / sketch

DTS 1000097547 EN Version: H Status: RL (released | freigegeben | validé) printed: 18.08.2011

Valve features, specification key

Example

A 15 AB VG SA42 NO06

Specification key

Please make a choice

CONTROL FUNCTION

A	normally closed by spring action
B	normally open by spring action
I	double acting

SIZE [mm]

04
06
08
10
15
20
25
32
40
50

SEAL MATERIAL

AB	EPDM in food quality
EA	PTFE/EPDM
FF	FKM
EU	advanced PTFE/EPDM in two pieces
ET	advanced PTFE (bonded on EPDM)

BODY MATERIAL

VG	Cast stainless steel 316L/1.4435
----	----------------------------------

VARIABLE CODES

Surface finish, internal

NO06	Int. mechanical polished Ra=0.8 µm	Standard
NO16	Int. electro polished Ra=0.6 µm	
NO18	Int. mechanical polished=1.6 µm	



PORT CONNECTION

Welded connection

Port conn [mm]	EN ISO 1127/ISO 4200	SMS 3008	DIN 11850			BS 4825	ASME BPE	JIS Sanitary	JIS Utility
			Series 0	Series 1	Series 2				
4			SC40=6x1.0						
6			SC41=8x1.0						
8	SA40=13.5x1.6		SC42=10x1.0			SODB=6.35x1.2	SA90=6.35x0.89	SA70=13.8x1.65	
10	SA41=17.2x1.6			SF40=12x1.0	SD40=13x1.5	SODC=9.53x1.2	SA91=9.53x0.89	SA71=17.3x1.65	
15	SA42=21.3x1.6			SF41=18x1.0	SD42=19x1.5	SODD=12.7x1.2	SA92=12.7x1.65	SA72=21.7x2.1	
20	SA43=26.9x1.6			SF42=22x1.0	SD43=23x1.5	SODE=19.05x1.2	SA93=19.05x1.65	SA76=27.2x2.1	SA80=27.2x2.1
25	SA44=33.7x2.0	SA60=25.0x1.2		SF43=28x1.0	SD44=29x1.5	SODF=25.4x1.65	SODF=25.4x1.65	SA73=25.4x1.2	SA81=34x2.0
32	SA45=42.4x2.0			SF44=34x1.0	SD45=35x1.5				SA83=42.7x2.0
40	SA46=48.3x2.0	SA62=38.0x1.2		SF45=40x1.0	SD46=41x1.5	SODH=38.1x1.65	SODH=38.1x1.65	SA74=38.1x1.2	SA84=60.5x2.0
50	SA47=60.3x2.0	SA63=51.0x1.2		SF46=52x1.0	SD47=53x1.5	SODI=50.8x1.65	SODI=50.8x1.65	SA75=50.8x1.5	

Clamp connection

Port conn [mm]	ISO 2852 SMS 3017	BS4825	DIN 32676
8	TC51=Clamp 34 - for tube ISO 4200	TG41=Clamp 25 - Tube 9.53x1.2	
10	TC41=Clamp 34 - for tube ISO 4200	TH42=Clamp 25 - Tube 12.7x1.2	TD41=Clamp 34 - Tube 13x1.5
15	TC42=Clamp 34 - for tube ISO 4200	TH43=Clamp 25 - Tube 19.05x1.2	TD42=Clamp 34 - Tube 19x1.5
20	TC43=Clamp 50.5 - for tube ISO 4200		TD43=Clamp 34 - Tube 23x1.5
25	TC44=Clamp 50.5 - for tube ISO 4200	TG44=Clamp 50.5 - Tube 25.4x1.65	TD44=Clamp 50.5 - Tube 29x1.5
40	TC46=Clamp 64 - for tube ISO 4200	TG45=Clamp 50.5 - Tube 38.1x1.65	TD46=Clamp 50.5 - Tube 41x1.5
50	TC47=Clamp 77.5 - for tube ISO 4200	TG46=Clamp 64 - Tube 50.8x1.65	TD47=Clamp 64 - Tube 53x1.5

In case of special application conditions, please consult for advice.

Subject to alteration.  
© Christian Bürkert GmbH & Co. KG

1108/2\_EU-en\_00895003